

Barrier Washer

WB6-70, WB6-90, WB6-110



Exceptional savings and effortless use



Priority on people

Certified ergonomic design with a human-centered approach for an outstanding user experience

- ClarusVibe microprocessor and 7" color TS control: intuitive, fully editable programs, multi-language, on-screen statistics, fully controlling the detergent pumps
- Simple connection to all generic pumps
- Connection to up to 15 pumps



Assured hygiene

Protect your business and take care of your customers respecting the strict international hygiene standards

- Watchdog system to avoid cross contamination
- Flat design for an easy cleaning and prevent bacteria propagation



Outstanding productivity and savings

Innovative features designed for lowest possible water, energy and detergent consumption, to save money and time, and embrace a sustainable lifestyle

- Programs optimized for lowest water, energy and detergent consumption
- High extraction force for efficient dewatering and savings during drying process



Pure control

Monitoring of the status of the equipment and performance from anywhere, allowing to take action to improve the business

- Washers connectable to OnE Laundry, the personal assistant for hygiene validation, process management and revenue management

Main options and accessories

- Second display on unloading side for best process control and productivity
- Integrated Savings weighs the linen and adjusts the water level to the amount of linen, saving water and energy at less than full load. In addition it optimizes the loading operations showing in real time the weight in the drum
- Automatic inner drum door opening (AIDO) at the end of the cycle for effortless and fast unloading operations
- Titration valve for water monitoring
- Stainless steel body to better stand aggressive environments
- 3rd water inlet valve for soft water
- 5 compartment soap box for manual supply
- Second drain valve for water recycling
- Clean room application



Images shown are a representation of the product only and variations may occur.

Main specifications				WB6-70		WB6-90		WB6-110	
Max. capacity	kg/lb			70/154		90/198		110/242	
Drum, volume diameter	litre			690		890		1080	
	ø mm			1050		1050		1050	
Extraction	rpm			720		720		720	
G-factor				300		300		300	
Heating alternatives, 380-400V	electricity	kW		54		72		72	
	steam			x		x		x	
Consumption data *				El	Steam	El	Steam	El	Steam
Water consumption (cold)	litre			720	720	931	931	1149	1149
Energy consumption (motor/heating)	kWh			11.62	1.86	14.67	2.3	17.71	2.4
Steam consumption	kg			-	24	-	32	-	36
Compressed air consumption	litre			50	50	50	50	50	50

* With accordance to ISO 9398-4 Test cycle B.

Produced according to ISO 9001 and ISO 14001.

Certified with CB certificate for Low Voltage Directive and S-mark according to the Machinery Directive. Protection class IP X4D.

Electrical connections*				
Heating alternative	Main voltage		Total power kW	Recommended fuse A
		Hz		
WB6-70				
Electric heated	400V 3 -	50/60	65.7	125
Steam heated	400V 3 -	50/60	11.7	40
WB6-90				
Electric heated	400V 3 -	50/60	87.7	160
Steam heated	400V 3 -	50/60	15.7	40
WB6-110				
Electric heated	400V 3 -	50/60	91	160
Steam heated	400V 3 -	50/60	19	50

* Total power and recommended fuse does not depend on the heating power in those cases.

Water and steam connections		WB6-70	WB6-90	WB6-110
Water valves	DN	32	32	32
Water pressure	kPa	50-600	50-600	50-600
Capacity at 250 kPa	l/min	200	200	200
Drain valve	∅ mm	110	110	110
Draining capacity	l/min	380	380	380
Steam valve	DN	25	25	25
Steam pressure	kPa	300-600	300-600	300-600
Compressed air	mm	6/8	6/8	6/8
Compressed air pressure	kPa	550-700	550-700	550-700

Sound levels		WB6-70	WB6-90	WB6-110
Airborne sound level	dB(A)	83	83	83

Heat emission		WB6-70	WB6-90	WB6-110
% of installed power, max		3	3	3

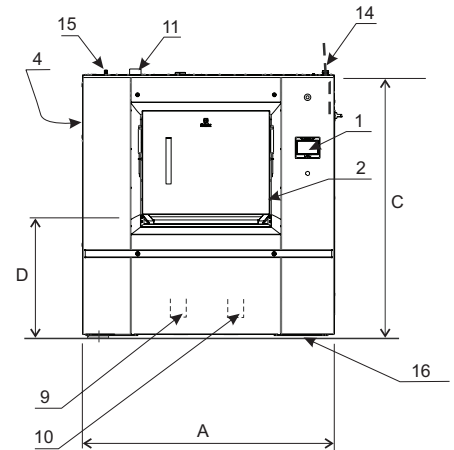
Shipping data**		WB6-70	WB6-90	WB6-110
Net weight	kg	2600	2800	2900

Dimensions in mm		WB6-70	WB6-90	WB6-110
A	Width	1496	1726	1956
B	Depth	1363	1363	1363
C	Height	2040	2040	2040
D		990	990	990
E		80	80	80
G		1710	1710	1710
J		550	650	750
K		180	180	180
L		235	235	235
M		70	70	70
V		90	90	90
W		475	730	730
X		120°	120°	120°

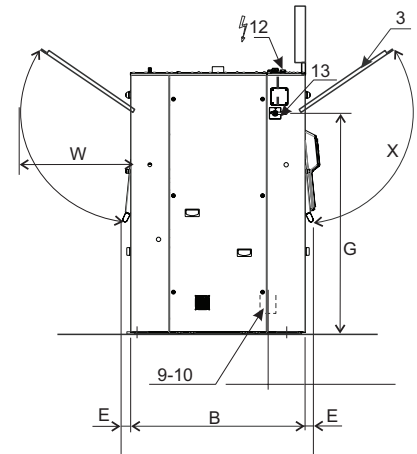
1	Control panel	10	Double drain connection (option)
2	Loading door	11	Air vent connection
3	Unloading door	12	Electrical connection
4	Detergent container	13	Main switch
5	Cold hard water inlet	14	Electric cable
6	Hot water inlet	15	Liquid detergents inlet
7	Cold soft water inlet (option)	16	Rubber plate
8	Steam connection	17	Compressed air inlet
9	Drain connection		

* Sound power levels measured according to ISO 60704.

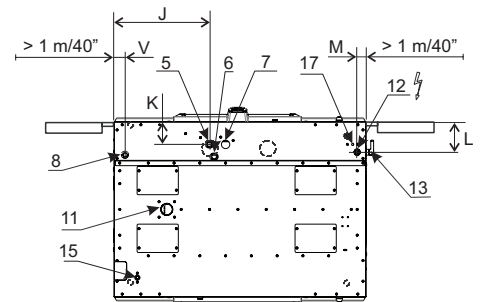
** Average data. Crated weight/shipping volume depends on configuration. Please contact logistics for exact measures.



Front view



Right view



Top view